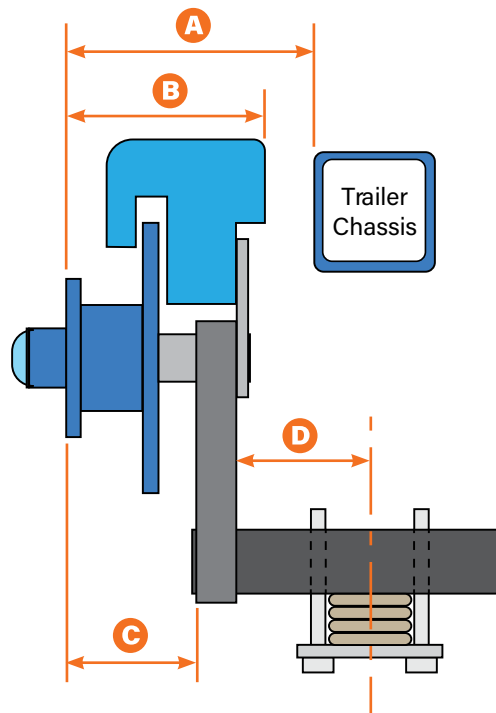
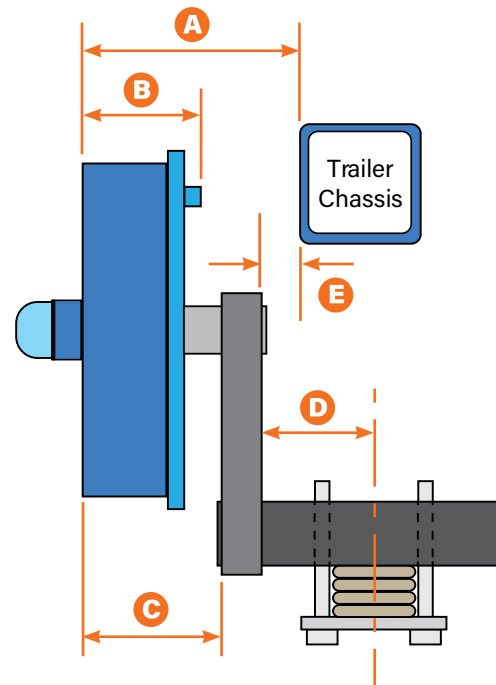


BRAKE BLOCK DIAGRAMS



Disc Brake Dropper



Drum Brake Dropper

Strike - 225mm cast/stainless disc 1500/1750kg taper roller bearing 1.8T Unihub			
A	B	C	D
158mm	133mm	89mm	50mm

Strike - Compact 225mm cast/stainless disc 1500/1750kg taper roller bearing 1.8T Unihub			
A	B	C	D
137mm	112mm	76mm	50mm

Patriot - 235mm Vented disc 1500/1750kg taper roller bearing 1.8T Unihub			
A	B	C	D
168mm	143mm	89mm	50mm

Patriot - 290mm Vented disc 2500kg taper roller bearing			
A	B	C	D
181mm	156mm	126mm	50mm

Patriot - 290mm Vented disc 3T Unihub			
A	B	C	D
166mm	140mm	85mm	50mm

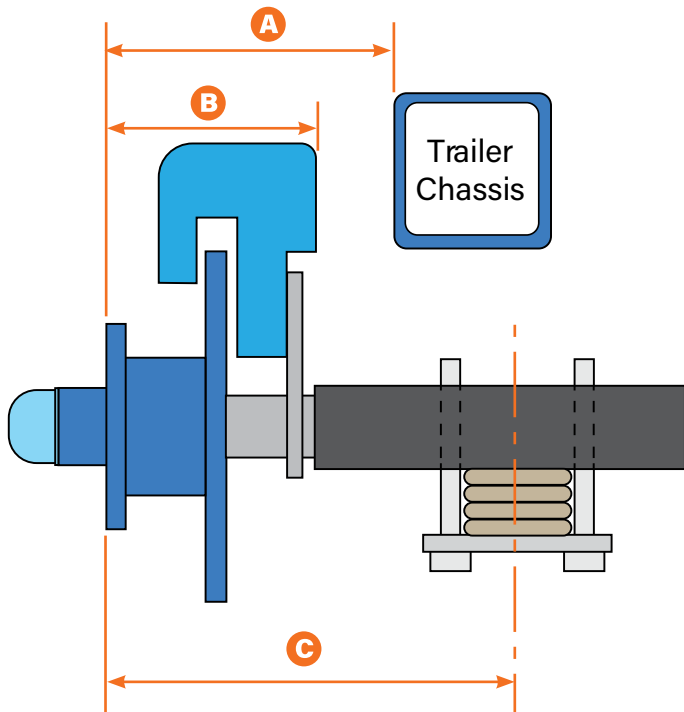
10" Electric Drum 1500/1750kg taper roller bearing 1.8T Unihub				
A	B	C	D	E
162mm	120mm	112mm	50mm	25mm

10" Hydraulic Drum 1500/1750kg taper roller bearing 1.8T Unihub				
A	B	C	D	E
162mm	93mm	112mm	50mm	25mm

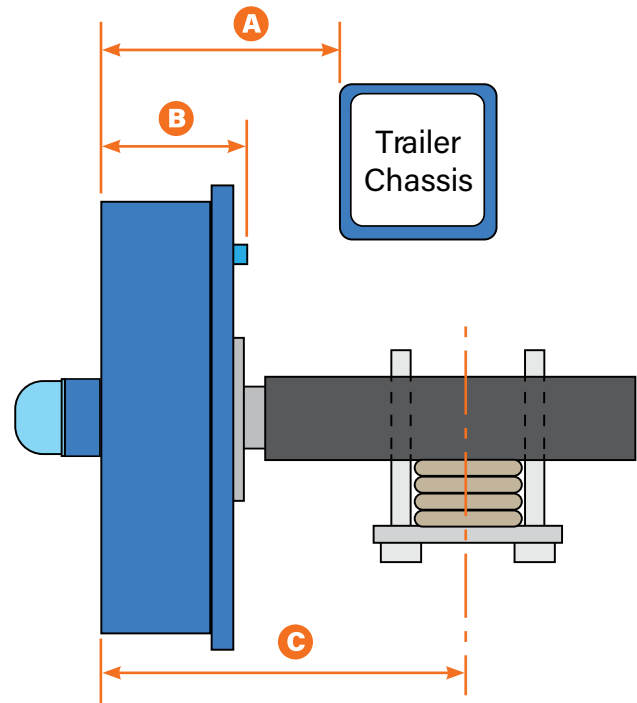
12" Electric Drum 3T Unihub				
A	B	C	D	E
200mm	127mm	150mm	50mm	25mm

12" Hydraulic Drum 3T Unihub				
A	B	C	D	E
200mm	116mm	150mm	50mm	25mm

BRAKE BLOCK DIAGRAMS



Disc Brake



Drum Brake

Strike - 225mm cast/stainless disc 1500/1750kg taper roller bearing 1.8T Unihub		
A	B	C
158mm	133mm	mm

10" Electric Drum 1500/1750kg taper roller bearing 1.8T Unihub		
A	B	C
145mm	120mm	mm

Strike - Compact 225mm cast/stainless disc 1500/1750kg taper roller bearing 1.8T Unihub		
A	B	C
137mm	112mm	mm

10" Hydraulic Drum 1500/1750kg taper roller bearing 1.8T Unihub		
A	B	C
118mm	93mm	mm

Patriot - 235mm Vented disc 1500/1750kg taper roller bearing 1.8T Unihub		
A	B	C
168mm	143mm	mm

12" Electric Drum 3T Unihub		
A	B	C
152mm	127mm	mm

Patriot - 290mm Vented disc 2500kg taper roller bearing		
A	B	C
181mm	156mm	mm

12" Hydraulic Drum 3T Unihub		
A	B	C
141mm	116mm	mm

Patriot - 290mm Vented disc 3T Unihub		
A	B	C
165mm	140mm	mm